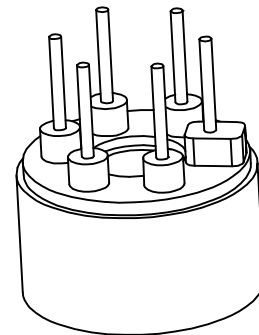
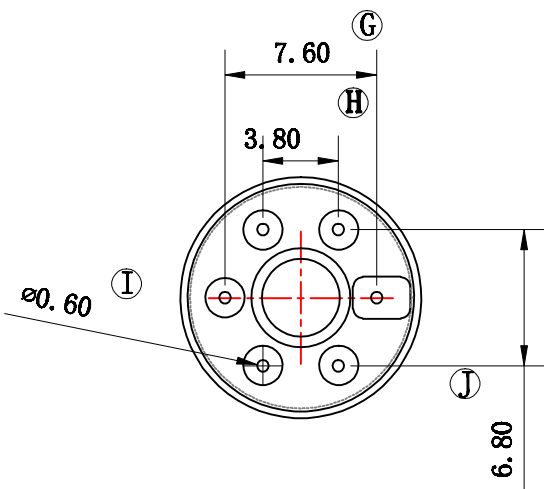
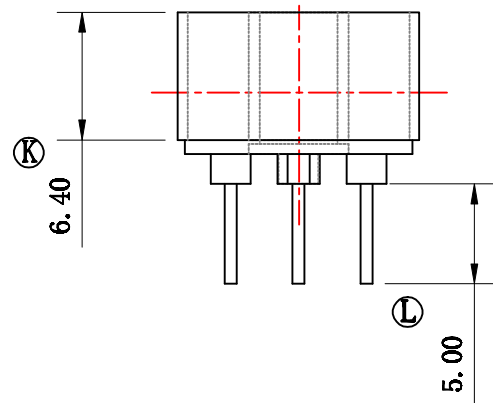
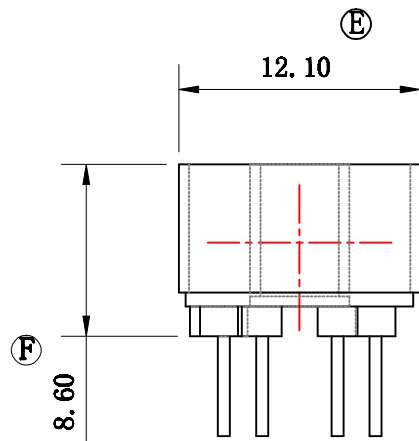
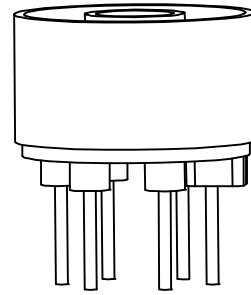
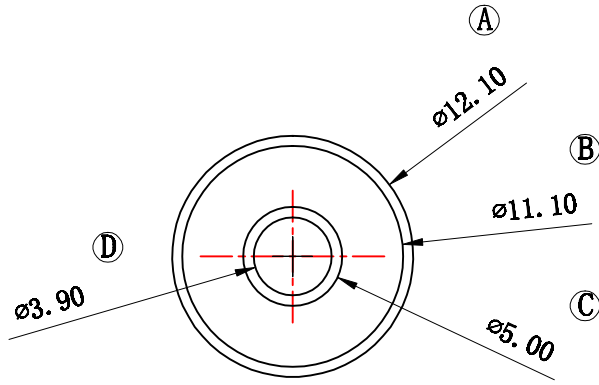


FWBS072-J



REV	REVISION RECORD	DATE	REV	REVISION RECORD	DATE
A			C		
B			D		
NAME	BASE 6P	MATERIAL	PHENOLIC	SCALE	ANGLE $\pm 1^\circ$
DRAWING NO.	FWBS072-J	PIN MATERIAL	CP WIRE	UNIT	m/m REV A
TOLERANCE OF PIN PITCH ± 0.20			HAINING FERRIWO ELECTRONICS CO.,LTD. TEL: +86-573-87088701 FAX: +86-573-87081130 Web: www.ferriwo.com Email: sales@ferriwo.com		
PIN TENSION LOAD kg MIN		UL REC: 94V-0			
TOLERANCE: $0 < L \leq 4: \pm 0.2$ $4 < L \leq 16: \pm 0.3$ $16 < L \leq 63: \pm 0.4$					